

Plus 30-90 ST

HELO


Plus 30-90 ST

Sauna heater with built-in controls.
Colours: stainless steel and black turquoise.

Application

Heaters are designed for saunas sized 2-14 m³ (see table).

Dimensions

Width	420 mm
Height	590 mm
Depth (3, 4,5 and 6 kW)	280 mm
(8 and 9 kW)	300 mm
Weight	14 kg
Stones (3 and 4,5 kW)	approx. 15 kg
(6,0 8,0 and 9,0 kW)	approx. 23 kg

Structure

The heater outer casing is made of painted corrosion-resistant steel plate. The frame is made of corrosion-resistant and heat-reflective steel. The top is made of pressure-moulded aluminium.

Mounting

The heater is mounted on the wall with the (included) mounting screws. The wall bracket is fixed to the heater. The mounting area must be reinforced (see figure on pg. 2).

Electrical installation

The heater is connected to a three-phase electrical connection (see 'Electrical connections' on pg. 2).

Control system

The heater controls (timer and thermostat) are located on the front of the heater and can be placed on the right or left-hand side. The heater has a timer for 8 hour preset time and 4 hour heating time.

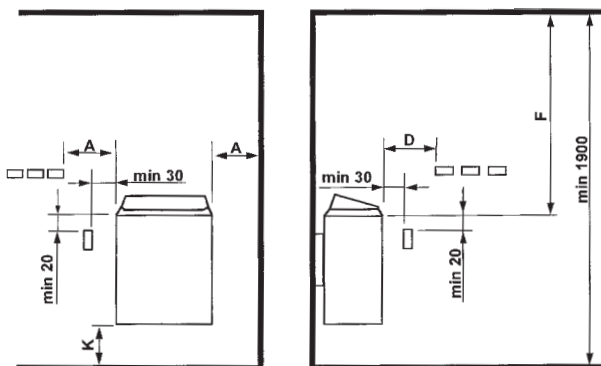
Plus ST sauna heaters

Model	Type	Power kW	Sauna m ³ *)	Min. sauna height mm
Plus 30 ST	1712-30-171820	3,0	2 - 4	1900
Plus 30 ST	1712-30-171820	3,0	2 - 4 ¹⁾	1900
Plus 45 ST	1712-45-171820	4,5	3 - 6	1900
Plus 45 ST	1712-45-171820	4,5	3 - 6 ¹⁾	1900
Plus 60 ST	1712-60-171820	6,0	5 - 9	1900
Plus 80 ST	1712-80-171820	8,0	8 - 13	1900
Plus 90 ST	1712-90-171820	9,0	9 - 14	1900

*) Volumes calculated for fully insulated sauna rooms.

¹⁾ Voltage 230V, 1~N

Safety distances and wall mounting

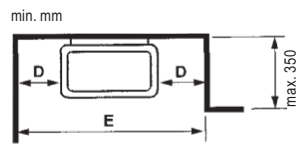


Heater kW	Min. wall mounting distances mm			
	From side A	From front D	To ceiling F	To floor K
3,0	30	50	1200	120
4,5	50	80	1200	120
6,0	70	100	1250	120
8,0	100	150	1250	120
9,0	100	200	1250	120

HELO
sauna & steam

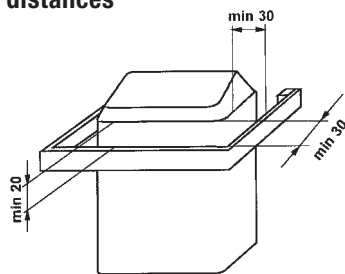
Plus 30-90 ST

Mounting in recess



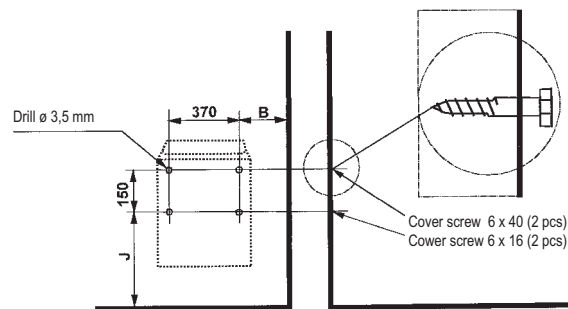
Heater kW	Min. wall mounting distances D mm	E mm
3,0	50	540
4,5	80	580
6,0	100	650
8,0	150	750
9,0	Cannot be mounted in a recess	

Heater guard rail safety distances



For more detailed mounting information, consult the mounting and operating instructions included with the sauna heater.

Wall mounting minimum distances



Heater kW	Min. wall mounting distances B mm	J mm
3,0	50	390
4,5	70	390
6,0	90	390
8,0	120	390
9,0	120	390

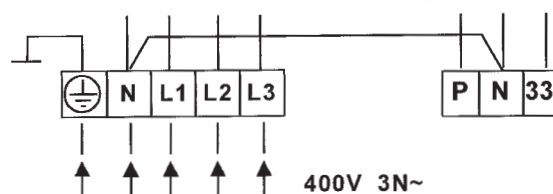
Electrical connections

The heater is connected using a semi-fixed H0 7 RN-F (or similar) rubber-sheathed cable.

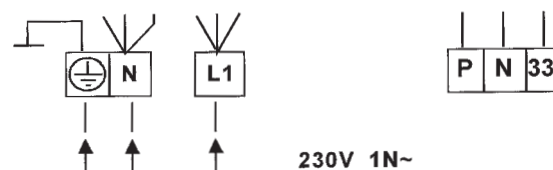
Power kW	Fuse A	¹⁾ Heater connection wire mm ²	Fixed mounting mm ²
3,0	3 x 10	5 x 1,5	5 x 1,5
3,0 (230V)	16	3 x 1,5	3 x 1,5
4,5	3 x 10	5 x 1,5	5 x 1,5
4,5 (230V)	20	3 x 2,5	3 x 4,0
6,0	3 x 10	5 x 1,5	5 x 1,5
8,0	3 x 16	5 x 1,5	5 x 2,5
9,0	3 x 16	5 x 1,5	5 x 2,5

¹⁾ Rubber-sheathed cable between junction box and heater.

Wiring diagram



33 Control for another electrical heating
P-N Indicator light



33 Control for another electrical heating
P-N Indicator light



Saunatec Group Ltd
P.O. Box 15, FIN-10901 Hanko
Tel +358 19 280 7300
Fax +358 19 248 5043

info@saunatec.fi
www.saunatec.fi